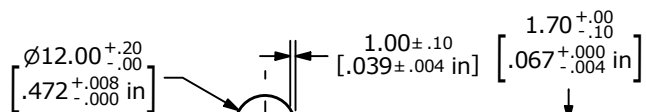
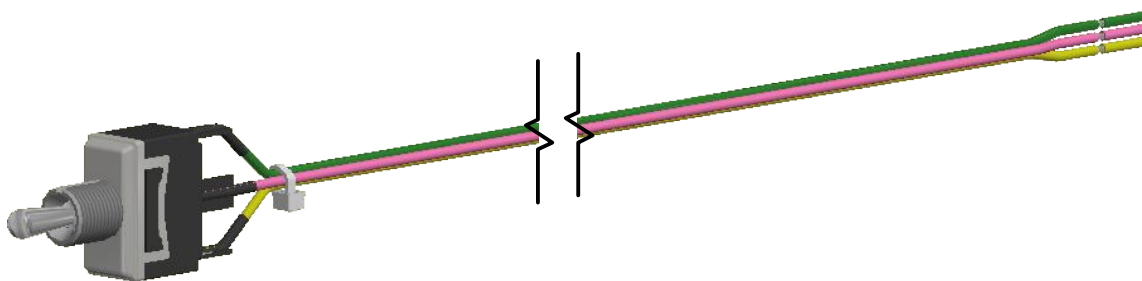


SWITCH	WIRE
SW1-1	WIRE, 18AWG AWM UL3266, GREEN
SW1-2	WIRE, 18AWG AWM UL3266, PINK
SW1-3	WIRE, 18AWG AWM UL3266, YELLOW



RECOMMENDED PANEL CUT OUT

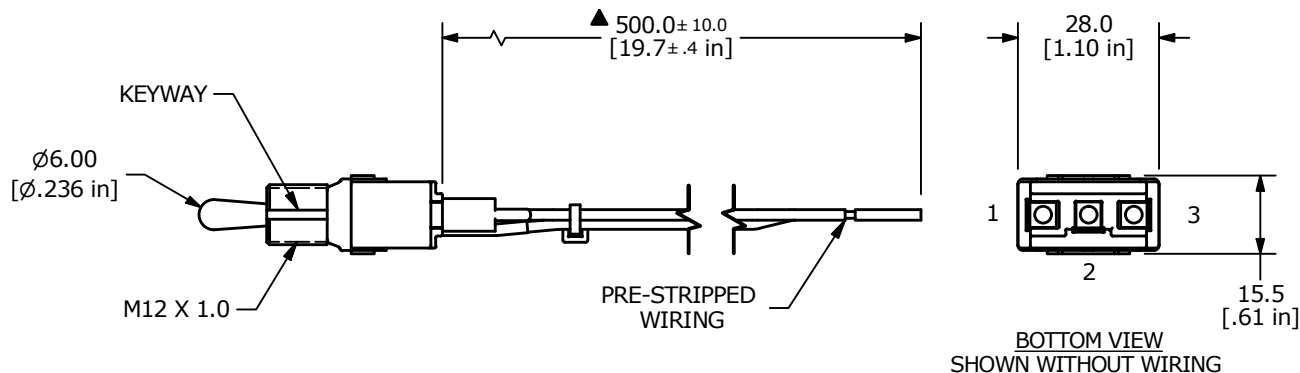
▲ SWITCH FUNCTION		
POS. 1	POS. 2	POS. 3
(ON)	OFF	(ON)
2-3	OPEN	1-2

() = DENOTES MOMENTARY

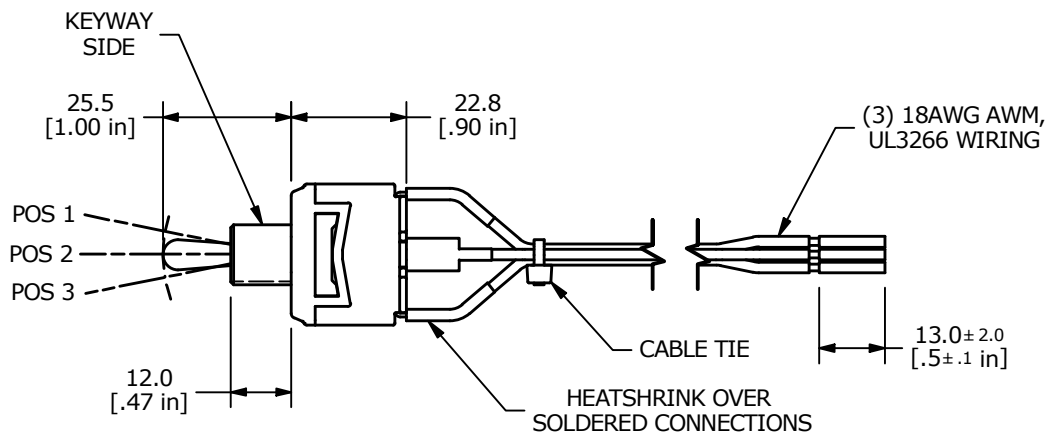
NOTES:

- ALL DIMENSIONS IN MM
- GENERAL TOLERANCE: X.X = ±0.5
X.XX = ±0.25
- TERM. NOS. FOR REFERENCE ONLY
- ELECTRICAL LIFE: 6,000 CYCLES
- OPERATING TEMP: 0°C to 85°C
- CONTACT RESISTANCE: 50mΩ MAX. INITIAL
- INSULATION RESISTANCE: 2MΩ AT 500VDC
- DIELECTRIC STRENGTH: 1000VAC FOR 1 MINUTE
- ▲ DENOTES CRITICAL PARAMETER
- CONTACT RATING: 20A 125VAC,
15A 277VAC
1.5HP 125/277VAC

▲ 11. SUPPLIED HARDWARE: 2 HEXNUTS



BOTTOM VIEW SHOWN WITHOUT WIRING



B	24714	NOTE 10. ...2HP TO ...1.5HP	1/27/21	MJR
A	24527	NEW RELEASE	10/23/20	MJR
REV	PCR NO	DESCRIPTION	DATE	BY

TITLE ST1WDD10				
SCALE 2:3	DATE 10/7/2020	DR MJR	DWG 34-ST1WDD10	REV B

THE INFORMATION CONTAINED IN THIS DOCUMENT IS PROPRIETARY TO E-SWITCH AND IS NOT TO BE COPIED OR TRANSFERRED